



Fixtured Applications

Contents	Page
Introduction.....	156
Fixtured nutrunners QST	158
Fixtured nutrunners ETX	162
Power MACS	165
MSB, DB.....	166
Power FOCUS.....	169
ToolsTalk.....	170

With our vast experience, we are a supplier you can rely on

Atlas Copco is the world-leading supplier of fixtured nutrunner systems. Our vast experience of designing components for multiple nutrunner systems, combined with knowledge of building, commissioning and maintaining fixtured solutions, makes Atlas Copco a supplier you can rely on.

For fixtured nutrunner systems, Atlas Copco offers a complete portfolio of products designed to satisfy your needs. These range from individual components to operator controlled Multiples by Express® stations and demanding stitching applications. There are two different systems designed for fixtured applications, as well as user-friendly controller software.

Please contact your local Atlas Copco sales representative who will be pleased to discuss your needs.

Power MACS 4000 and QST nutrunners

A state-of-the-art, stand-alone system offering high reliability, accuracy and capability. The system is designed with user friendliness in mind and is easy to build and integrate into production lines.

Power Focus 4000 and ETX nutrunners

A flexible solution that makes it possible to run durable and accurate fixtured nutrunners on the Power Focus controller designed for hand-held tools.

ToolsTalk software

ToolsTalk software for Power MACS 4000 has been developed with user-friendliness and customer adaptation in mind. This Window-based program can be installed on a station PC, a laptop or a back office PC.



Power MACS 4000 stand alone system – small, cost efficient and powerful. No needs for bulky cabinets.



A vertical two channel Multiple by Express® fixture with QST spindles.



Nutrunners to match your needs

The QST nutrunner is a true state-of-the-art product. Partnered with the Power MACS 4000 tightening controller, QST offers one of the most advanced and reliable tightening solutions on the market. ETX nutrunners are compact, durable and easy to integrate. Since ETX is controlled by the Power Focus, like the Tensor S and Tensor ST tools, it is possible to achieve 100% controller communality in a line.

QST and ETX nutrunners – common features

Designed specifically for fixtured systems, these two reliable, durable nutrunners have many common features.

With QST and ETX nutrunners pilot mount or sandwich are possible. Different socket holder lengths (0-200 mm) permit access to applications or parts with tight clearances. For longer bolt lengths, spring travel can be increased from the standard 50 mm to 76 or 100 mm on request.

A built-in memory chip in QST and ETX nutrunners stores calibration values and general tool and service data. Both tools are ISO certified to +/- 2.5% accuracy and 1 million duty cycles on hard and soft joints.

QST and ETX – different features

The QST nutrunner is available in inline, off-set, angle head, angle head travel, U-shaped, angel, SPN and co-axial designs. The ETX comes in inline, offset and angle head versions.

Connectors on both tools are designed to provide cable management flexibility. The robust connector and pin design on the QST is adjustable in 2 DOF. The ETX has a rotatable single connector.

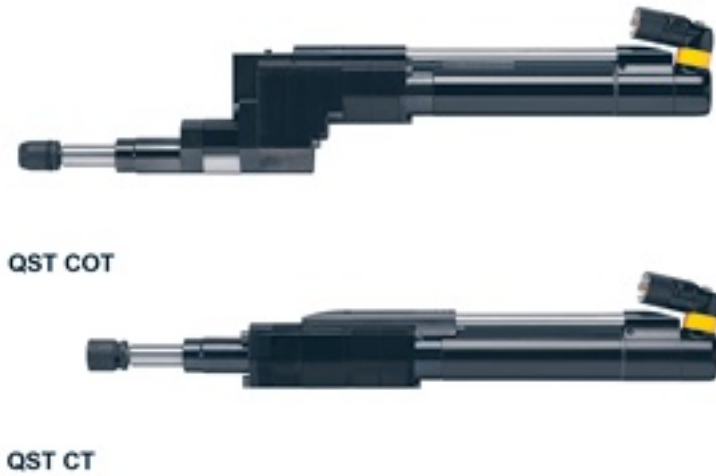
QST offers a standard torque range of 2-1,750 Nm (up to 8,000 on request) and has a 60 m cable. ETX has a torque range of 6-950 Nm and a cable length of 25 m.

QST nutrunners – extra features

- Digital communication between nutrunner and controller.
- Hot Swap – replace cable or spindle without turning off the power.
- Increased speed characteristics, up to 3,000 rpm.
- Optional redundant angle encoder and transducer.
- MTBF better than 5 million cycles under normal conditions.



- Inline nutrunner, CT – Equipped with commutation sensor and transducer.
- Off-set nutrunner, COT – Comes with a commutation sensor, off-set gears for narrow bolts and transducer.
- Extended spring travel 76 mm and 100 mm – Nutrunners with extended spring travel for longer bolt lengths.
- Dual transducers, CTT – Nutrunners with dual torque transducer feedback.
- Dual transducers and angle feedback, CATT – Nutrunners with dual angle and torque transducer feedback.
- Angle head nutrunners, CTV – Nutrunners with angle heads. Available with or without travel.



Model	Travel mm	Torque range		Speed r/min	Min C-C	Weight		Gear ratio	Socket holder size in	Ordering No.	Socket holder Ordering No.
		Nm	ft lb			kg	lb				
QST34-8CT-T50-L150-H6	50	2- 8	1.5- 6	3000	34	2.0	4.4	7.428	1/4	8435 6000 10	4230 2753 01
QST34-20CT-T50-L150-H10	50	4- 20	2.9-14.7	1000	34	2.0	4.4	21.2	3/8	8435 6010 10	4230 2753 00
QST42-20CT-T50-L134-H9.5	50	6- 20	4- 14	2000	43	3.1	6.9	7.50	3/8	8435 6020 10	4230 1818 00
QST42-20COT-T50-L134.5-H9.5	50	6- 20	4- 14	2000	31	4.2	9.3	7.50	3/8	8435 6020 20	4230 1818 00
QST42-50CT-T50-L134-H12.7	50	10- 50	7- 35	700	43	3.8	8.4	21.33	1/2	8435 6030 10	4230 1819 00
QST42-50COT-T50-L134.5-H12.7	50	10- 50	7- 35	700	31	4.5	9.9	21.33	1/2	8435 6030 20	4230 1819 00
QST50-90CT-T50-L137-H12.7	50	20- 90	15- 65	650	51	5.8	12.7	18.21	1/2	8435 6040 10	4230 1820 00
QST50-90COT-T50-L137-H12.7	50	20- 90	15- 65	650	37	7.8	17.2	18.21	1/2	8435 6040 20	4230 1820 00
QST50-150CT-T50-L137-H12.7	50	30- 150	22- 110	380	51	5.8	12.8	31.24	1/2	8435 6050 10	4230 1820 00
QST50-150COT-T50-L137-H12.7	50	30- 150	22- 110	380	37	7.8	17.2	31.24	1/2	8435 6050 20	4230 1820 00
QST62-150CT-T50-L152-H12.7	50	30- 150	22- 110	450	63	10.2	22.5	13.94	1/2	8435 6060 10	4230 1829 00
QST62-150COT-T50-L152.5-H12.7	50	30- 150	22- 110	450	45	12.8	28.2	13.94	1/2	8435 6060 20	4230 1829 00
QST62-230CT-T50-L152-H19.1	50	40- 230	29- 170	330	63	10.2	22.5	19.04	3/4	8435 6065 10	4230 1822 00
QST62-230COT-T50-L152.5-H19.1	50	40- 220	29- 162	330	45	12.8	28.2	19.04	3/4	8435 6065 20	4230 1822 00
QST62-350CT-T50-L152-H19.1	50	50- 350	37- 258	220	63	10.2	22.5	28.33	3/4	8435 6070 10	4230 1822 00
QST62-350COT-T50-L152-H19.1	50	50- 330	37- 243	220	45	12.8	28.2	28.33	3/4	8435 6070 20	4230 1822 00
QST80-450CT-T50-L146-H19.1	50	90- 450	66- 332	260	81	16.7	37	22.67	3/4	8435 6075 10	4230 1971 00
QST80-450COT-T50-L146-H19.1	50	90- 450	66- 332	260	55	21	46	22.67	3/4	8435 6075 20	4230 1971 00
QST80-600CT-T50-L146-H19.1	50	120- 600	88- 442	200	81	17	37	29.56	3/4	8435 6080 10	4230 1971 00
QST80-600COT-T50-L146-H19.1	50	120- 600	88- 442	200	55	21	46	29.56	3/4	8435 6080 20	4230 1971 00
QST90-750CT-T50-L152-H25.4	50	150- 750	111- 553	150	91	25	55	38.89	1	8435 6085 10	4230 1824 00
QST90-750COT-T50-L153-H25.4	50	150- 750	111- 553	150	63	29	64	38.89	1	8435 6085 20	4230 1824 00
QST90-1000CT-T50-L152-H25.4	50	200- 1000	147- 737	130	91	26	57	46.84	1	8435 6090 10	4230 1824 00
QST90-1000COT-T50-L153-H25.4	50	200- 1000	147- 737	130	63	30	66	46.84	1	8435 6090 20	4230 1824 00
QST95-1750CT-T50-L149-H38	50	350- 1750	258-1291	60	96	28	61.7	98.21	1 1/2	8453 6095 10	4230 2767 00
QST95-1750COT-T50-L155-H38	50	350- 1750	258-1291	60	73	43	94.8	98.21	1 1/2	8454 6095 20	4230 2811 00
Extended spring travel 76 mm and 100 mm											
QST42-20CT-T76-L189-H9.5	76	6- 20	4- 14	2000	43	3.1	6.9	7.5	3/8	8435 6020 11	4230 2114 00
QST42-50CT-T76-L189-H12.7	76	10- 50	7- 35	700	43	3.8	8.4	21.3	1/2	8435 6030 11	4230 2120 00
QST50-90CT-T76-L200-H12.7	76	20- 90	15- 65	650	51	5.78	12.7	18.2	1/2	8435 6040 11	4230 2127 00
QST50-150CT-T76-L200-H12.7	76	30- 150	22- 110	380	51	5.8	12.8	31.2	1/2	8435 6050 11	4230 2127 00
QST62-230CT-T76-L200-H19.1	76	40- 230	29- 170	330	63	10.2	22.5	19.0	3/4	8435 6065 11	4230 2137 00
QST62-350CT-T76-L200-H19.1	76	50- 350	37- 258	220	63	10.2	22.5	28.3	3/4	8435 6070 11	4231 2137 00
QST80-600CT-T76-L214-H19.1	76	120- 600	88- 442	200	81	17	37.0	29.6	3/4	8435 6080 11	4231 2664 99
QST90-1000CT-T76-L176-H25.4	76	200- 1000	147- 737	130	91	26	57.0	46.8	1	8435 6090 11	4231 1106 00
QST42-50CT-T100-L191-H12.7	100	10- 50	7- 35	700	43	3.8	8.4	21.3	1/2	8435 6030 12	4231 2055 00
QST50-150CT-T100-L186-H12.7	100	30- 150	22- 110	380	51	5.8	12.8	31.2	1/2	8435 6050 12	4231 3189 00

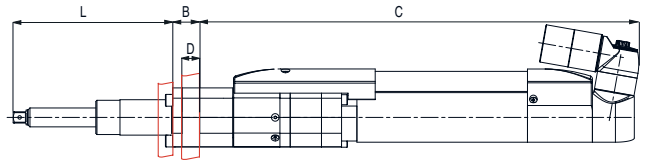
Model	Travel mm	Torque range			Speed r/min	Min C-C	Weight		Gear ratio	Socket holder size in	Ordering No.	Socket holder Ordering No.
		Nm	ft lb				kg	lb				
Dual transducers, CTT												
QST42-20CTT -T50 -L134 -H9.5	50	6-	20	4 - 14	2000	43	3.1	6.9	7.50	3/8	8435 6020 50	4230 1818 00
QST42-20COTT -T50 -L134.5 -H9.5	50	6-	20	4 - 14	2000	31	4.2	9.3	7.50	3/8	8435 6020 60	4230 1818 00
QST42-50CTT -T50 -L134 -H12.7	50	10-	50	7 - 35	700	43	3.8	8.4	21.33	1/2	8435 6030 50	4230 1819 00
QST42-50COTT -T50 -L134.5 -H12.7	50	10-	50	7 - 35	700	31	4.5	9.9	21.33	1/2	8435 6030 60	4230 1819 00
QST50-90CTT -T50 -L137 -H12.7	50	20-	90	15 - 65	650	51	5.8	12.7	18.21	1/2	8435 6040 50	4230 1820 00
QST50-90COTT -T50 -L137 -H12.7	50	20-	90	15 - 65	650	37	7.8	17.2	18.21	1/2	8435 6040 60	4230 1820 00
QST50-150CTT -T50 -L137 -H12.7	50	30-	150	22 - 110	380	51	5.8	12.8	31.24	1/2	8435 6050 50	4230 1820 00
QST50-150COTT -T50 -L137 -H12.7	50	30-	150	22 - 110	380	37	7.8	17.2	31.24	1/2	8435 6050 60	4230 1820 00
QST62-150CTT -T50 -L152 -H12.7	50	30-	150	22 - 110	450	63	10.2	22.5	13.94	1/2	8435 6060 50	4230 1829 00
QST62-150COTT -T50 -L152.5 -H12.7	50	30-	150	22 - 110	450	45	12.8	28.2	13.94	1/2	8435 6060 60	4230 1829 00
QST62-230CTT -T50 -L152 -H19.1	50	40-	230	29 - 170	330	63	10.2	22.5	19.04	3/4	8435 6065 50	4230 1822 00
QST62-230COTT -T50 -L152.5 -H19.1	50	40-	220	29 - 162	330	45	12.8	28.2	19.04	3/4	8435 6065 60	4230 1822 00
QST62-350CTT -T50 -L152 -H19.1	50	50-	350	37 - 258	220	63	10.2	22.5	28.33	3/4	8435 6070 50	4230 1822 00
QST62-350COTT -T50 -L152 -H19.1	50	50-	330	37 - 243	220	45	12.8	28.2	28.33	3/4	8435 6070 60	4230 1822 00
QST80-450CTT -T50 -L146 -H19.1	50	90-	450	66 - 332	260	81	16.7	37	22.67	3/4	8435 6075 50	4230 1971 00
QST80-450COTT -T50 -L146 -H19.1	50	90-	450	66 - 332	260	55	21	46	22.67	3/4	8435 6075 60	4230 1971 00
QST80-600CTT -T50 -L146 -H19.1	50	120-	600	88 - 442	200	81	17	37	29.56	3/4	8435 6080 50	4230 1971 00
QST80-600COTT -T50 -L146 -H19.1	50	120-	600	88 - 442	200	55	21	46	29.56	3/4	8435 6080 60	4230 1971 00
QST90-750CTT -T50 -L152 -H25.4	50	150-	750	111 - 553	150	91	25	55	38.89	1	8435 6085 50	4230 1824 00
QST90-750COTT -T50 -L152 -H25.4	50	150-	750	111 - 553	150	63	29	64	38.89	1	8435 6085 60	4230 1824 00
QST90-1000CTT -T50 -L152 -H25.4	50	200-	1000	147 - 737	130	91	26	57	46.84	1	8435 6090 50	4230 1824 00
QST90-1000COTT -T50 -L153 -H25.4	50	200-	1000	147 - 737	130	63	30	66	46.84	1	8435 6090 60	4230 1824 00
Dual transducers and angle feedback, CATT												
QST42-20CATT -T50 -L134 -H9.5	50	6-	20	4 - 14	2000	43	3.1	6.9	7.50	3/8	8435 6020 70	4230 1818 00
QST42-50CATT -T50 -L134 -H12.7	50	10-	50	7 - 35	700	43	3.8	8.4	21.33	1/2	8435 6030 70	4230 1819 00
QST50-90CATT -T50 -L137 -H12.7	50	20-	90	15 - 65	650	51	5.8	12.7	18.21	1/2	8435 6040 70	4230 1820 00
QST50-150CATT -T50 -L137 -H12.7	50	30-	150	22 - 110	380	51	5.8	12.8	31.24	1/2	8435 6050 70	4230 1820 00
QST62-150CATT -T50 -L152 -H12.7	50	30-	150	22 - 110	450	63	10.2	22.5	13.94	1/2	8435 6060 70	4230 1829 00
QST62-230CATT -T50 -L152 -H19.1	50	40-	230	29 - 170	330	63	10.2	22.5	19.04	3/4	8435 6065 70	4230 1822 00
QST62-350CATT -T50 -L152 -H19.1	50	50-	350	37 - 258	220	63	10.2	22.5	28.33	3/4	8435 6070 70	4230 1822 00
QST80-450CATT -T50 -L146 -H19.1	50	90-	450	66 - 332	260	81	16.7	36.9	22.67	3/4	8435 6075 70	4230 1971 00
QST80-600CATT -T50 -L146 -H19.1	50	120-	600	88 - 442	200	81	17	37	29.56	3/4	8435 6080 70	4230 1971 00
QST90-750CATT -T50 -L152 -H25.4	50	150-	750	111 - 553	150	91	25	55	38.89	1	8435 6085 70	4230 1824 00
QST90-1000CATT -T50 -L152 -H25.4	50	200-	1000	147 - 737	130	91	26	57	46.84	1	8435 6090 70	4230 1824 00
Angle head, CTV												
QST42-20CTV -P10	-	6-	20	4 - 14	1200	28	3.5	7	11.6	3/8	9831 4077 27	-
QST42-20CTV -T25 -H10	25	6-	20	4 - 14	1200	28	5	10	11.6	3/8	9831 4077 57	-
QST42-30CTV -P10	-	6-	30	4.5 - 22	440	36	3.5	7	11.6	3/8	9831 4077 26	-
QST42-30CTV -T25 -H10	25	6-	30	4.5 - 22	440	36	5.5	11	33.0	3/8	9831 4077 58	-
QST42-70CTV -P13	-	14-	70	10 - 52	440	40	4.5	9	33.0	1/2	9831 4077 28	-
QST42-70CTV -T25 -H13	25	14-	70	10 - 52	440	40	5.5	9	33.0	1/2	9831 4077 59	-
QST50-170CTV -P13	-	34-	170	25 - 125	210	51	6.8	14	56.2	1/2	9831 4078 38	-
QST50-170CTV -T50 -P13	50	34-	170	25 - 125	210	48	8.6	17	56.2	1/2	9831 4078 44	-
QST50-200CTV -H19	-	40-	200	29 - 145	210	51	7.0	14	56.2	3/4	9831 4078 43	-
QST50-200CTV -T25 -H19	25	40-	200	29 - 145	210	51	9.5	19	56.2	3/4	9831 4078 46	-
QST50-200CTV -T50 -H19	50	40-	200	29 - 145	210	51	10	20	56.2	3/4	9831 4078 47	-
QST62-310CTV -H19	-	60-	310	44 - 229	175	66	13.5	27	34.3	3/4	9831 4079 78	-
QST62-310CTV -T25 -H19	25	60-	310	44 - 229	175	66	16.5	33	34.3	3/4	9831 4079 76	-
QST62-350CTV -H19	-	70-	350	52 - 258	120	66	13.5	27	51.0	3/4	9831 4079 73	-
QST62-350CTV -T25 -H19	25	70-	350	52 - 258	120	66	16.5	33	51.0	3/4	9831 4087 10	-
QST62-600CTV -H25	-	120-	600	88 - 440	100	109	16.5	33	93.5	1	9831 4087 02	-

Dimensions

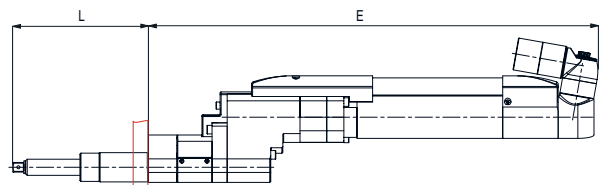
Model	L mm	B mm	C mm	D mm	E mm
Extended spring travel 76 mm and 100 mm					
QST42-20CT-T76-L189-H9.5	190	23	372	15	-
QST42-50CT-T76-L189-H12.7	190	23	399	15	-
QST50-90CT-T76-L200-H12.7	200	23	441	15	-
QST50-150CT-T76-L200-H12.7	201	23	441	15	-
QST62-230CT-T76-L200-H19.1	200	25	517	15	-
QST62-350CT-T76-L200-H19.1	200	25	517	15	-
QST80-600CT-T76-L214-H19.1	214	30	595	20	-
QST90-1000CT-T76-L176-H25.4	176	32	600	20	-
QST42-50CT-T100-L191-H12.7	191	23	399	15	-
QST50-150CT-T100-L186-H12.7	186	23	441	15	-
Dual transducers, CTT					
QST42-20CTT -T50 -L134 -H9.5	134	23	372	15	-
QST42-20COTT -T50 -L134.5 -H9.5	134.5	-	-	-	446
QST42-50CTT -T50 -L134 -H12.7	134	23	399	15	-
QST42-50COTT -T50 -L134.5 -H12.7	134.5	-	-	-	472
QST50-90CTT -T50 -L137 -H12.7	137	23	441	15	-
QST50-90COTT -T50 -L137 -H12.7	137	-	-	-	521
QST50-150CTT -T50 -L137 -H12.7	137	23	441	15	-
QST50-150COTT -T50 -L137 -H12.7	137	-	-	-	521
QST62-150CTT -T50 -L152 -H12.7	152	25	517	15	-
QST62-150COTT -T50 -L152.5 -H12.7	152.5	-	-	-	586
QST62-230CTT -T50 -L152 -H19.1	152	25	517	15	-
QST62-230COTT -T50 -L152.5 -H19.1	152.5	-	-	-	586
QST62-350CTT -T50 -L152 -H19.1	152	25	517	15	-
QST62-350COTT -T50 -L152 -H19.1	152	-	-	-	592
QST80-450CTT -T50 -L146 -H19.1	146	30	595	20	-
QST80-450COTT -T50 -L146 -H19.1	146	-	-	-	685
QST80-600CTT -T50 -L146 -H19.1	146	30	595	20	-
QST80-600COTT -T50 -L146 -H19.1	146	-	-	-	685
QST90-750CTT -T50 -L152 -H25.4	152	32	600	20	-
QST90-750COTT -T50 -L153 -H25.4	153	-	-	-	705
QST90-1000CTT -T50 -L152 -H25.4	152	32	600	20	-
QST90-1000COTT -T50 -L153 -H25.4	153	-	-	-	710

Model	L mm	B mm	C mm	D mm	E mm
Standard					
QST34-8CT-T50-L150-H6	150	16.5	358.5	10	-
QST34-20CT-T50-L150-H10	150	16.5	358.5	10	-
QST42-20CT-T50-L134-H9.5	134	23	372	15	-
QST42-20COT-T50-L134.5-H9.5	134.5	-	-	-	446
QST42-50CT-T50-L134-H12.7	134	23	399	15	-
QST42-50COT-T50-L134.5-H12.7	134.5	-	-	-	472
QST50-90CT-T50-L137-H12.7	137	23	441	15	-
QST50-90COT-T50-L137-H12.7	137	-	-	-	521
QST50-150CT-T50-L137-H12.7	137	23	441	15	-
QST50-150COT-T50-L137-H12.7	137	-	-	-	521
QST62-150CT-T50-L152-H12.7	152	25	517	15	-
QST62-150COT-T50-L152.5-H12.7	152.5	-	-	-	586
QST62-230CT-T50-L152-H19.1	152	25	517	15	-
QST62-230COT-T50-L152.5-H19.1	152.5	-	-	-	586
QST62-350CT-T50-L152-H19.1	152	25	517	15	-
QST62-350COT-T50-L152-H19.1	152	-	-	-	592
QST80-450CT-T50-L146-H19.1	146	30	595	20	-
QST80-450COT-T50-L146-H19.1	146	-	-	-	685
QST80-600CT-T50-L146-H19.1	146	30	595	20	-
QST80-600COT-T50-L146-H19.1	146	-	-	-	685
QST90-750CT-T50-L152-H25.4	152	32	600	20	-
QST90-750COT-T50-L153-H25.4	153	-	-	-	705
QST90-1000CT-T50-L152-H25.4	152	32	600	20	-
QST90-1000COT-T50-L153-H25.4	153	-	-	-	710
QST95-1750CT-T50-L149-H38	149	32	683	20	-
QST95-1750COT-T50-L155-H38	155	-	-	-	795

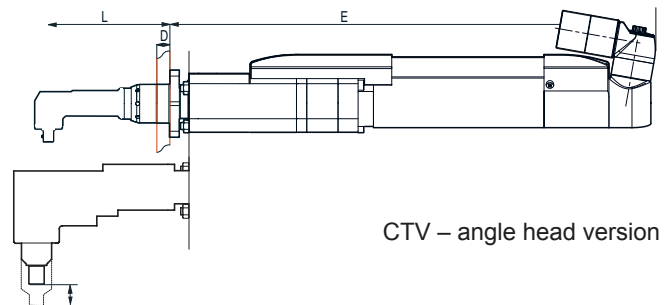
Model	L mm	B mm	C mm	D mm	E mm
Dual transducers and angle feedback, CATT					
QST42-20CATT -T50 -L134 -H9.5	134	23	372	15	-
QST42-50CATT -T50 -L134 -H12.7	134	23	399	15	-
QST50-90CATT -T50 -L137 -H12.7	137	23	441	15	-
QST50-150CATT -T50 -L137 -H12.7	137	23	441	15	-
QST62-150CATT -T50 -L152 -H12.7	152	25	517	15	-
QST62-230CATT -T50 -L152 -H19.1	152	25	517	15	-
QST62-350CATT -T50 -L152 -H19.1	152	25	517	15	-
QST80-450CATT -T50 -L146 -H19.1	146	30	595	20	-
QST80-600CATT -T50 -L146 -H19.1	146	30	595	20	-
QST90-750CATT -T50 -L152 -H25.4	152	32	600	20	-
QST90-1000CATT -T50 -L152 -H25.4	152	32	600	20	-
Angle head					
QST42-20CTV -P10	65	-	-	-	409
QST42-20CTV -T25 -H10	-	-	-	-	-
QST42-30CTV -P10	83	-	-	-	436
QST42-30CTV -T25 -H10	-	-	-	-	-
QST42-70CTV -P13	84	-	-	-	431
QST42-70CTV -T25 -H13	-	-	-	-	-
QST50-170CTV -P13	136	-	-	-	481
QST50-170CTV -T50 -P13	-	-	-	-	-
QST50-200CTV -H19	136	-	-	-	481
QST50-200CTV -T25 -H19	-	-	-	-	-
QST50-200CTV -T50 -H19	-	-	-	-	-
QST62-310CTV -H19	153	-	-	-	564
QST62-310CTV -T25 -H19	-	-	-	-	-
QST62-350CTV -H19	153	-	-	-	564
QST62-350CTV -T25 -H19	-	-	-	-	-
QST62-600CTV -H25	174	-	-	-	563



CT – straight version



COT – off-set version



CTV – angle head version

Optional Accessories

Tool and extension cables

Length	Ordering No.
2 m	4220 3799 02
3 m	4220 3799 03
5 m	4220 3799 05
7 m	4220 3799 07
10 m	4220 3799 10
15 m	4220 3799 15
20 m	4220 3799 20
25 m	4220 3799 25
30 m	4220 3799 30
35 m	4220 3799 35
40 m	4220 3799 40



Tool and extension cable



Additional socket holder length

Additional sockets

	A mm	Product No.	Socket holder size in	Socket holder ^a Ordering No.
QST42-20CT				
	0 ^b	8435 6020 10	3/8	4230 1818 00
	50	8435 4083 08	3/8	4230 2217 00
	100	8435 4083 10	3/8	4230 2217 01
	150	8435 4083 12	3/8	4230 2217 02
	200	8435 4083 14	3/8	4230 2217 03
QST42-50CT				
	0 ^b	8435 6030 10	1/2	4230 1819 00
	50	8435 4083 19	1/2	4230 2218 00
	100	8435 4083 21	1/2	4230 2218 01
	150	8435 4083 23	1/2	4230 2218 02
	200	8435 4083 25	1/2	4230 2218 03
QST50-90CT				
	0 ^b	8435 6040 10	1/2	4230 1820 00
	50	8435 4083 28	1/2	4230 2219 00
	100	8435 4083 29	1/2	4230 2219 01
	150	8435 4083 30	1/2	4230 2219 02
	200	8435 4083 31	1/2	4230 2219 03
QST50-150CT				
	0 ^b	8435 6050 10	1/2	4230 1820 00
	50	8435 4083 68	1/2	4230 2219 00
	100	8435 4083 33	1/2	4230 2219 01
	150	8435 4083 34	1/2	4230 2219 02
	200	8435 4083 35	1/2	4230 2219 03
QST62-150CT				
	0 ^b	8435 6060 10	1/2	4230 1829 00
	50	8435 4083 37	1/2	4230 2223 00
	100	8435 4083 40	1/2	4230 2223 01
	150	8435 4083 43	1/2	4230 2223 02
	200	8435 4083 46	1/2	4230 2223 03
	0	8435 4083 70	5/8	4230 1821 00
	50	8435 4083 38	5/8	4230 2224 00
	100	8435 4083 41	5/8	4230 2224 01
	150	8435 4083 44	5/8	4230 2224 02
	200	8435 4083 47	5/8	4230 2224 03

	A mm	Product No.	Socket holder size in	Socket holder ^a Ordering No.
QST62-230CT				
	0	8435 4083 81	5/8	4230 1821 00
	50	8435 4083 83	5/8	4230 2224 00
	100	8435 4083 98	5/8	4230 2224 01
	150	8435 4083 88	5/8	4230 2224 02
	200	8435 4083 91	5/8	4230 2224 03
	0 ^b	8435 5170 10	3/4	4230 1822 00
	50	8435 4083 84	3/4	4230 2226 00
	100	8435 4083 86	3/4	4230 2226 01
	150	8435 4083 89	3/4	4230 2226 02
	200	8435 4083 92	3/4	4230 2226 03
QST62-350CT				
	0	8435 4083 72	5/8	4230 1821 00
	50	8435 4083 53	5/8	4230 2224 00
	100	8435 4083 56	5/8	4230 2224 01
	150	8435 4083 59	5/8	4230 2224 02
	200	8435 4083 62	5/8	4230 2224 03
	0 ^b	8435 6070 10	3/4	4230 1822 00
	50	8435 4083 54	3/4	4230 2226 00
	100	8435 4083 57	3/4	4230 2226 01
	150	8435 4083 60	3/4	4230 2226 02
	200	8435 4083 83	3/4	4230 2226 03

^a This socket holder is included when you order the complete spindle.

^b This socket holder follows when you order the standard nutrunner.

NOTE: The spindle travel is 50 mm for all sockets holders.

Advanced process control and monitoring

State-of-the-art tightening controllers Power MACS 4000 and Power Focus with their advanced process control and monitoring functions, and supported by ToolsTalk software, can put your assembly operation on the path to zero-fault production.

Power MACS 4000

Power MACS 4000 is Atlas Copco's latest, most advanced tightening controller for fixtured tools. It has effective tools for statistical process control to ensure that quality issues are identified long before they cause production problems.

The controller supports a zero-fault production philosophy with its capacity to collect tightening data for analysis, continuous improvement and traceability. Power MACS processing power and memory are designed to handle and send large amounts of data without influencing the tightening process.

Power Focus

Power Focus is a modular range of controllers, with full flexibility, designed for applications ranging from single nut-runner hand-held operations to fixtured multiple nutrunning systems. Advanced process control and monitoring functions make it easy to view and collect data using the Internet infrastructure.

The Power Focus 4000 is available in two versions, Compact and Graph. The difference between them is the user interface, where the Graph features the color display and a full keyboard.

ToolsTalk Power MACS

The new ToolsTalk software for Power MACS 4000 has been developed with user friendliness and customer adaptation in mind and can be installed on a laptop or a back office PC.



Power MACS 4000

One primary controller or master is needed per system. The primary controller takes care of external communication and comes with most field busses used in modern production lines (optional). A primary controller can be run as a secondary controller

The secondary controller, or slave, comes in two versions; with or without Ethernet switch in the back plate.

- One servo covers the complete torque range from 2 to 8,000 Nm.
- No external PC required, inherent back-up functionality for increased reliability.
- Define your tightening strategy based on results to make sure valuable time and resources are not wasted.
- Powerful PLC onboard supports Reject Management enabling you to handle faulty tightening in the most efficient way.
- Extensive library of tested tightening strategies – each joint can be tightened in the best possible way in terms of cycle time and quality.
- Stand alone design (no need for bulky cabinets).
- 24V DC supply, integrated Ethernet switch, E-stop circuit.
- Informative display, integrated line filter.



TC-P

TC-S

Power MACS 4000 controllers

Model	Fieldbus version	Ordering No.
Primary controller		
TC-4000-P-ES	No Fieldbus	8435 6511 00
TC-4000-P-PB-ES	Profibus	8435 6511 10
TC-4000-P-DN-ES	DeviceNet	8435 6511 30
TC-4000-P-EIP-ES	Ethernet IP	8435 6511 60
TC-4000-P-MTCP-ES	ModBus TCP	8435 6511 70
TC-4000-P-PN-ES	Profi Net	8435 6511 50
TC-4000-P-CC-ES	CC link	8435 6511 90
Secondary controller		
TC-4000-S	No fieldbus, No Ethernet switch	8435 6500 00
TC-4000-S-ES	No fieldbus, Ethernet switch	8435 6501 00

Main Switch Box – MSB

The MSB is used for power distribution and makes power management easy. It is designed be fed with 380-480 V AC 3-phase without requiring an external transformer. The MSB leaves room for customer adaptations and the E-stop functionality can be upgraded from class 3 to class 4. Each MSB supplies up to 6 controllers with power.

Distribution Box – DB

The DB provides the same functionality as the MSB except for the main switch and is used as a complement to the MSB for systems with more than 6 channels.

General Box – GB

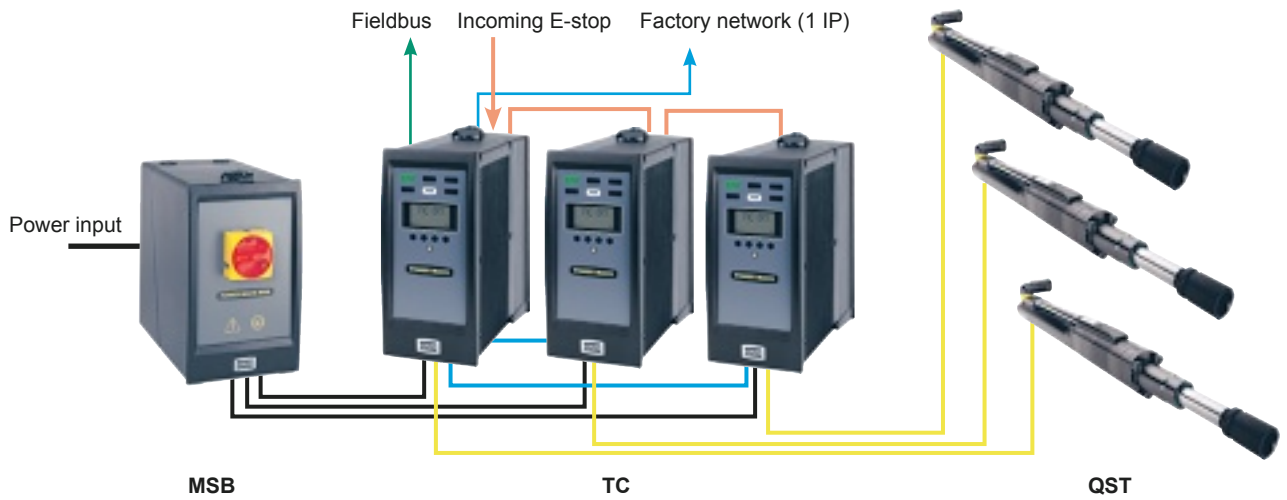
An empty DB, suitable for external system devices.



Model	Ordering No.
MSB	
Main switch box (Max 6 channels)	8435 5660 00
DB	
Distribution box (Max 6 channels) + Power cable 1800 mm	8435 6560 50
GB	
General box	4222 1249 85

Easy-to-build system

 Power cables	4222 1248 xx	 Ethernet cable	4222 1246 xx
 E-Stop cable	4222 1247 xx	 Motor cable	4220 3799 xx



With the Power MACS 4000 controller, multiple-spindle systems are easy to configure. Simply refer to the system ordering table to see which components you need.

System ordering table for a system with one station

No. of spindles	Number of				tool cables	System cable kit ^a
	TC-P	TC-S	MSB	DB		
1	1	0	1	0	1	1
2	1	1	1	0	2	1
3	1	2	1	0	3	1
4	1	3	1	0	4	1
5	1	4	1	0	5	1
6	1	5	1	0	6	1
7	1	6	1	1	7	1
8	1	7	1	1	8	1
9	1	8	1	1	9	1

No. of spindles	Number of				tool cables	System cable kit ^a
	TC-P	TC-S	MSB	DB		
10	1	9	1	1	10	1
11	1	10	1	1	11	1
12	1	11	1	1	12	1
13	1	12	1	2	13	1
14	1	13	1	2	14	1
15	1	14	1	2	15	1
16	1	15	1	2	16	1
17	1	16	1	2	17	1
18	1	17	1	2	18	1

^a See system cable kits below.

System cable kit

No. of spindles	Power cable			Ethernet cable			E-stop cable		Ethernet switch incl. Backplate 4222 0982 90	Ordering No. ^b
	1350 mm 4222 1248 13	1650 mm 4222 1248 16	1950 mm 4222 1248 19	1 m 4222 1246 01	2 m 4222 1246 02	3 m 4222 1246 03	1200 mm 4222 1247 12	3000 mm 4222 1247 30		
1	1	-	-	-	-	-	-	-	-	8435 6560 01
2	2	-	-	1	-	-	1	-	-	8435 6560 02
3	2	1	-	1	1	-	1	1	-	8435 6560 03
4	2	2	-	1	2	-	2	1	-	8435 6560 04
5	2	2	1	1	3	-	3	1	1	8435 6560 05
6	2	2	2	4	1	-	4	1	1	8435 6560 06
7	4	3	-	5	1	-	5	1	1	8435 6560 07
8	4	4	-	6	1	-	6	1	1	8435 6560 08
9	4	3	2	4	1	3	7	1	2	8435 6560 09
10	4	4	2	5	1	3	8	1	2	8435 6560 10
11	4	4	3	6	1	3	9	1	2	8435 6560 11
12	4	4	4	7	1	3	10	1	2	8435 6560 12
13	5	4	4	7	1	4	10	2	3	8435 6560 13
14	6	4	4	8	1	4	11	2	3	8435 6560 14
15	6	5	4	9	1	4	12	2	3	8435 6560 15
16	6	6	4	10	1	4	13	2	3	8435 6560 16
17	6	6	5	10	2	4	14	2	4	8435 6560 17
18	6	6	6	11	2	4	15	2	4	8435 6560 18

^b Based on Atlas Copco suggested set-up.

Optional Accessories

Ethernet cables

Length	Ordering No.
0.5 m	4222 1246 00
1 m	4222 1246 01
2 m	4222 1246 02
3 m	4222 1246 03
5 m	4222 1246 05
10 m	4222 1246 10
15 m	4222 1246 15



Ethernet cable

E-stop cables and termination

Components	Length	Ordering No.
E-stop cable	1200 mm	4222 1247 12
E-stop cable	3000 mm	4222 1247 30
E-stop termination		4222 0755 00



E-stop cable

Power cables between MSB and TC

Suitable for	Length	Ordering No.
TC1-TC2, TC7-TC8, TC13-TC14	1350 mm	4222 1248 13
TC3-TC4, TC9-TC10, TC15-TC16	1650 mm	4222 1248 16
TC5-TC6, TC11-TC12, TC17-TC18	1950 mm	4222 1248 19
For longer distances	5 m	4222 1248 50
	10 m	4222 1370 10
	15 m	4222 1370 15
	20 m	4222 1370 20



Power cable between MSB and TC

Indicator box and cable

Model	Ordering No.	
Indicator box	8435 3010 03	
Indicator box cable	4243 0158 81	
Extension cable	3 m	4243 0070 03
	5 m	4243 0070 05
	10 m	4243 0070 10
	15 m	4243 0070 15
	20 m	4243 0070 20
25 m	4243 0070 25	



Indicator box

Handle

Model	Ordering No.
Operator handle	4220 4487 80