

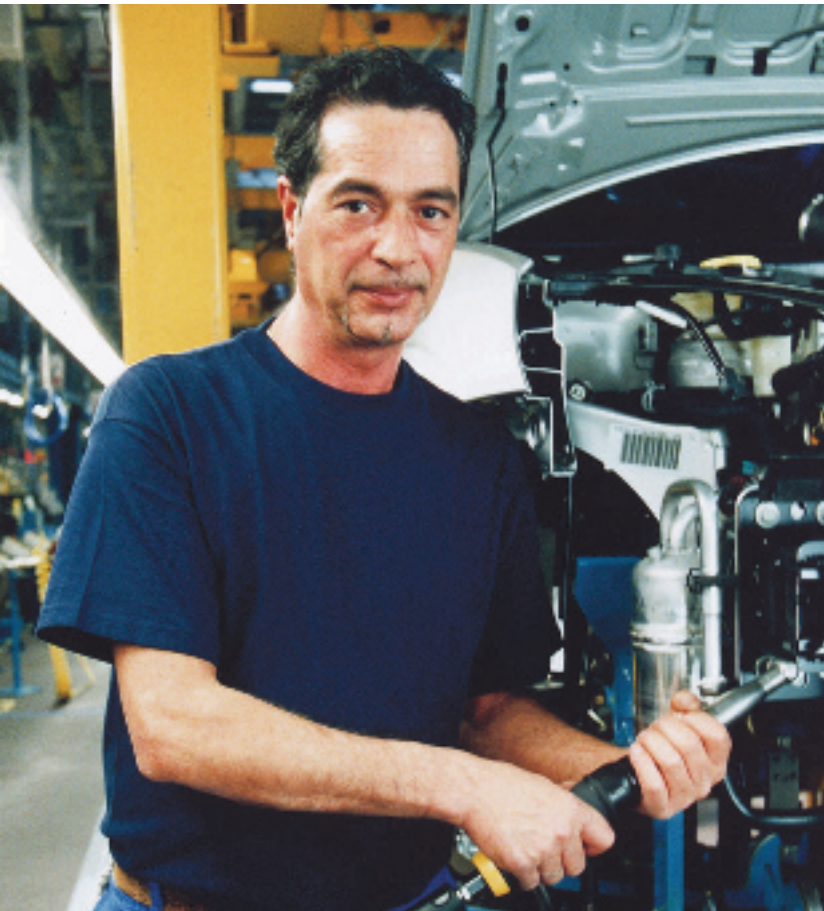
LTV 29-2 and 39-2 angle nutrunners

Higher speed, lower energy consumption



Atlas Copco

Thumbs up for the LTV 9 series in customer trials



LTV 29 trial arouses Ford's interest

The Ford plant in Cologne, Germany, with a capacity of about 1,800 cars a day, assembles Fiesta and Fusion models. The LTV 29 was put to the test there in a 20 Nm application involving the fixture of an ABS module with three bolts. The tool performed trouble-free tightenings throughout the test period. Operator Luigi Licciardi was impressed by the smooth design and handiness of the tool, finding it "light, compact and very easy to work with".

Rosario Grillo, in charge of the power tool workshop at the same plant, praised the low weight compared with other nutrunners in its torque class, and found the smooth surface design and compactness a significant benefit with regard to accessibility. Ford has plans for a series of LTV 29 tools.

"I find the new LTV nutrunner light, compact and very easy to work with."
Luigi Licciardi, operator Ford.



LTV 39 impresses Volvo with its speed

For the past year, Volvo had the LTV 39 on trial at their Torslanda plant in Sweden. The application is the final assembly of the diesel motor for the Volvo XC 90 SUV.

The operators are more than satisfied with the performance of the tool, especially the high speed and the very low reaction force. The Tool Crib Manager confirms that the tool is popular among the operators and has satisfied all the demands of the application. Volvo are very interested in more of these outstanding tools.

Operator Vera Neves Coutinho, Volvo, is more than satisfied with the performance of the tool. "I especially like the very low reaction force."

LTV29-2 series

- Designed for high speed and small dimensions.
- Slim lightweight design.
- Soft, comfortable grip.
- Easy to reverse.
- Low reaction force.



LTV29-2

LTV39-2 series

- The fastest nutrunners of this type.
- Powerful motor.
- Consistently high accuracy.
- Many operator-friendly features.



LTV39-2

LTV FS flush socket tools

- Minimum angle head size gives good access.
- High torque accuracy.
- Integrated sockets give reduced angle head height.

Model	Bolt size mm	Square drive in	Socket size mm	Torque range soft joint		Free speed r/min	Weight		Length mm	Angle head		Air consumption at free speed		Rec. hose size mm	Air inlet thread in	Ordering No.
				Nm	ft lb		kg	lb		height mm	center to side mm	l/s	cfm			
Reversible																
LTV29-2 R12-Q	M6	1/4 ^a	—	6 - 12	4.5 - 9	850	1.3	2.9	351	44	11	10	21	10	1/4	8431 0631 17
LTV29-2 R12-42	M6	1/4 ^b	—	6 - 12	4.5 - 9	850	1.3	2.9	351	34	11	10	21	10	1/4	8431 0631 18
LTV29-2 R12-6	M6	1/4	—	6 - 12	4.5 - 9	850	1.3	2.9	351	27	11	10	21	10	1/4	8431 0631 15
LTV29-2 R12-B6	M6	1/4	—	6 - 12	4.5 - 9	850	1.3	2.9	351	27	11	10	21	10	1/4	8431 0631 00
LTV29-2 R12-10	M6	3/8	—	6 - 12	4.5 - 9	850	1.3	2.9	351	27	11	10	21	10	1/4	8431 0631 16
LTV29-2 R12-B10	M6	3/8	—	6 - 12	4.5 - 9	850	1.3	2.9	351	27	11	10	21	10	1/4	8431 0631 01
LTV29-2 R16-Q	M6	1/4 ^a	—	9 - 16	7 - 12	850	1.3	2.9	351	44	11	10	21	10	1/4	8431 0631 24
LTV29-2 R16-42	M6	1/4 ^b	—	9 - 16	7 - 12	850	1.3	2.9	351	34	11	10	21	10	1/4	8431 0631 23
LTV29-2 R16-6	M6	1/4	—	9 - 16	7 - 12	850	1.3	2.9	351	27	11	10	21	10	1/4	8431 0631 22
LTV29-2 R16-B6	M6	1/4	—	9 - 16	7 - 12	850	1.3	2.9	351	27	11	10	21	10	1/4	8431 0631 02
LTV29-2 R16-10	M6	3/8	—	9 - 16	7 - 12	850	1.3	2.9	351	27	11	10	21	10	1/4	8431 0631 21
LTV29-2 R16-B10	M6	3/8	—	9 - 16	7 - 12	850	1.3	2.9	351	27	11	10	21	10	1/4	8431 0631 03
LTV29-2 R24-10	M8	3/8	—	12 - 24	9 - 18	640	1.4	3.1	374	30	14	10	21	10	1/4	8431 0631 29
LTV29-2 R24-B10	M8	3/8	—	12 - 24	9 - 18	640	1.4	3.1	374	30	14	10	21	10	1/4	8431 0631 04
LTV29-2 R30-10	M8	3/8	—	15 - 30	11 - 22	500	1.4	3.1	374	30	14	10	21	10	1/4	8431 0631 37
LTV29-2 R30-B10	M8	3/8	—	15 - 30	11 - 22	500	1.4	3.1	374	30	14	10	21	10	1/4	8431 0631 36
Flush socket																
LTV39-2 R16-10	M6	3/8	—	7 - 16	5 - 12	1200	1.5	3.3	375	27	11	16	34	10	1/4	8431 0633 09
LTV39-2 R16-B10	M6	3/8	—	7 - 16	5 - 12	1200	1.5	3.3	375	27	11	16	34	10	1/4	8431 0631 05
LTV39-2 R24-10	M8	3/8	—	12 - 24	9 - 18	870	1.6	3.5	385	30	14	16	34	10	1/4	8431 0633 14
LTV39-2 R24-B10	M8	3/8	—	12 - 24	9 - 18	870	1.6	3.5	385	30	14	16	34	10	1/4	8431 0631 06
LTV39-2 R30-10	M8	3/8	—	15 - 30	11 - 22	870	1.6	3.5	385	35	14	16	34	10	1/4	8431 0633 19
LTV39-2 R30-B10	M8	3/8	—	15 - 30	11 - 22	870	1.6	3.5	385	35	14	16	34	10	1/4	8431 0631 07
LTV39-2 R37-10	M8	3/8	—	22 - 37	16 - 27	708	1.7	3.7	405	35	18	16	34	10	1/4	8431 0633 24
LTV39-2 R37-B10	M8	3/8	—	22 - 37	16 - 27	708	1.7	3.7	405	35	18	16	34	10	1/4	8431 0631 08
LTV39-2 R48-10	M8	3/8	—	24 - 48	18 - 35	560	1.7	3.7	405	35	18	16	34	10	1/4	8431 0633 27
LTV39-2 R48-B10	M8	3/8	—	24 - 48	18 - 35	560	1.7	3.7	405	35	18	16	34	10	1/4	8431 0631 09
LTV39-2 R48-13	M8	1/2	—	24 - 48	18 - 35	560	2.0	4.4	425	41	20	16	34	10	1/4	8431 0633 43
LTV39-2 R48-B13	M8	1/2	—	24 - 48	18 - 35	560	2.0	4.4	425	41	20	16	34	10	1/4	8431 0631 10
LTV39-2 R56-10	M10	3/8	—	28 - 56	21 - 41	460	1.7	3.7	405	35	18	16	34	10	1/4	8431 0633 35
LTV39-2 R56-B10	M10	3/8	—	28 - 56	21 - 41	460	1.7	3.7	405	35	18	16	34	10	1/4	8431 0631 11
LTV39-2 R56-13	M10	1/2	—	28 - 56	21 - 41	460	2.0	4.4	425	41	20	16	34	10	1/4	8431 0633 51
LTV39-2 R56-B13	M10	1/2	—	28 - 56	21 - 41	460	2.0	4.4	425	41	20	16	34	10	1/4	8431 0631 12
LTV39-2 R70-13	M10	1/2	—	35 - 70	26 - 51	350	2.1	4.6	425	41	20	16	34	10	1/4	8431 0633 59
LTV39-2 R70-B13	M10	1/2	—	35 - 70	26 - 51	350	2.1	4.6	425	41	20	16	34	10	1/4	8431 0631 13
LTV39-2 R85-13	M10-12	1/2	—	43 - 85	32 - 63	305	2.5	5.5	500	52	25	16	34	10	1/4	8431 0632 67
LTV39-2 R85-B13	M10-12	1/2	—	43 - 85	32 - 63	305	2.5	5.5	500	52	25	16	34	10	1/4	8431 0631 14
Flush socket																
LTV29-2 R24 FS	M8	—	13	12 - 24	9 - 18	640	1.4	3.7	374	30	14	10	21	10	1/4	8431 0632 34
LTV29-2 R30 FS	M8	—	13	15 - 30	11 - 22	500	1.3	3.1	355	34	15	10	21	10	1/4	8431 0632 38
LTV39-2 R37 FS	M8	—	13	22 - 37	16 - 27	708	1.7	3.7	405	35	18	16	34	10	1/4	8431 0632 41
LTV39-2 R48 FS	M8	—	13	24 - 48	18 - 35	560	1.7	3.7	406	40	18	16	34	10	1/4	8431 0632 42
LTV39-2 R56 FS	M8	—	13	28 - 56	21 - 41	460	1.7	3.7	406	40	18	16	34	10	1/4	8431 0632 46
LTV39-2 R70 FS	M10	—	16	35 - 70	26 - 51	350	2.1	4.6	425	50	20	16	34	10	1/4	8431 0632 51
LTV39-2 R85 FS	M10-12	—	19	43 - 85	32 - 63	305	2.5	5.5	500	70	25	16	34	10	1/4	8431 0632 58

^a Quick change chuck. ^b Female hex drive.

LTV28 and 38 series

- Highest reliability when tightening M5-M12 screws.
- Small, durable gears.
- Precise clutch.
- Reliable motor.

LTV48 series

- Robust, reliable tools.
- Reversible for torques up to 200 Nm.
- Comfortable to operate due to low weight and smooth handles.
- Reaction bars and other accessories available.

LTV FS flush socket tools

- Minimum angle head size gives good access.
- High torque accuracy.
- Integrated sockets give reduced angle head height.
- Same tightening characteristics as LTV tools.
- Same motor, clutch and gear parts as the LTV range.



LTV28



LTV38



LTV48

Model	Bolt size mm	Square drive in	Socket size mm	Torque range soft joint		Free speed r/min	Weight		Length mm	Angle head height mm	Angle head center to side mm	Air consumption at free speed		Rec. hose size mm	Air inlet thread in	Ordering No.
				Nm	ft lb		kg	lb				l/s	cfm			
Reversible																
LTV28 R07-6	M5	1/4	-	2.5 - 7	1.8 - 5	1100	1.3	2.9	334	28.5	10	8	17	8	1/4	8431 0601 65
LTV28 R07-42	M5	1/4 ^a	-	2.5 - 7	1.8 - 5	1100	1.3	2.9	334	28.5	10	8	17	8	1/4	8431 0601 73
LTV28 R07-Q	M6	1/4 ^b	-	2.5 - 7	1.8 - 5	1100	1.3	2.9	334	28.5	10	8	17	8	1/4	8431 0601 68
LTV28 R15-6	M6	1/4	-	7 - 15	5 - 11	560	1.4	3.1	349	28	11	10	21	10	1/4	8431 0601 52
LTV28 R15-42	M6	1/4 ^a	-	7 - 15	5 - 11	560	1.4	3.1	349	28	11	10	21	10	1/4	8431 0601 58
LTV28 R15-Q	M6	1/4 ^b	-	7 - 15	5 - 11	560	1.4	3.1	349	28	11	10	21	10	1/4	8431 0601 53
LTV28 R15-10	M6	3/8	-	7 - 15	5 - 11	560	1.4	3.1	349	28	11	10	21	10	1/4	8431 0601 55
LTV28 R20-10	M6	3/8	-	10 - 19	7 - 15	530	1.4	3.1	355	34.5	13.5	10	21	10	1/4	8431 0601 50
LTV28 R20-42	M6	1/4 ^a	-	10 - 20	7 - 15	420	1.4	3.1	350	34	13.5	10	21	10	1/4	8431 0601 48
LTV28 R28-10	M8	3/8	-	14 - 28	10 - 21	340	1.4	3.1	350	29.5	13.5	10	21	10	1/4	8431 0601 40
LTV28 R28-42	M8	3/8	-	14 - 28	10 - 21	340	1.4	3.1	350	29.5	13.5	10	21	10	1/4	8431 0601 40
LTV28 RL28-10	M8	3/8	-	14 - 28	10 - 21	80	1.4	3.1	350	29.5	13.5	10	21	10	1/4	8431 0601 33
LTV38 R42-10	M8	3/8	-	20 - 42	15 - 31	400	2.0	4.4	436	34.5	18	16	34	10	1/4	8431 0603 55
LTV38 R42-13	M8	1/2	-	20 - 42	15 - 31	400	2.2	4.8	453	41	20	16	34	10	1/4	8431 0603 69
LTV38 R50-10	M10	3/8	-	25 - 50	18 - 36	330	2.0	4.4	436	34.5	18	16	34	10	1/4	8431 0603 63
LTV38 R50-13	M10	1/2	-	25 - 50	18 - 36	330	2.2	4.8	453	41	20	16	34	10	1/4	8431 0603 71
LTV38 R57-13	M10	1/2	-	30 - 57	22 - 41	280	2.2	4.8	453	41	20	16	34	10	1/4	8431 0603 51
LTV38 R70-13	M10	1/2	-	34 - 70	24 - 50	225	2.4	5.3	487	41	20	16	34	10	1/4	8431 0603 46
LTV38 R85-13	M10-12	1/2	-	40 - 85	29 - 61	190	2.8	6.1	530	52	25	16	34	10	1/4	8431 0603 38
LTV48 R120-L13	M12	1/2	-	70 - 120	51 - 88	215	3.5	7.6	590	52	25	28	59	12.5	1/2	8431 0534 88
LTV48 R150-L13	M12	1/2	-	70 - 150	51 - 111	170	3.5	7.6	590	52	25	28	59	12.5	1/2	8431 0534 93
LTV48 R200-L13	M14	1/2	-	115 - 200	85 - 148	100	3.8	8.3	610	52	25	28	59	12.5	1/2	8431 0534 98
Reversible. Flush socket models																
LTV28 R20 FS	M6	-	13	8 - 20	6 - 15	500	1.4	3.1	352	34	13.5	10	21	10	1/4	8431 0608 02
LTV28 R28 FS	M8	-	13	14 - 28	10 - 21	340	1.4	3.1	350	34	13.5	10	21	10	1/4	8431 0608 00
LTV38 R50 FS	M10	-	15	25 - 50	18 - 37	360	2.2	4.8	454	53	20	18	38	10	1/4	8431 0609 85
LTV38 R65 FS	M12	-	16	34 - 65	25 - 48	280	2.6	5.7	515	53	20	18	38	10	1/4	8431 0609 87
LTV48 R120 FS	M12	-	19	70 - 120	37 - 88	220	3.5	7.6	590	70	25	28	59	12.6	1/2	8431 0610 12
LTV48 R150 FS	M12	-	19	70 - 150	44 - 111	180	3.5	7.6	590	70	25	28	59	12.7	1/2	8431 0610 17
LTV48 R200 FS	M14	-	19	115 - 200	85 - 148	100	3.8	8.3	610	70	25	28	59	12.8	1/2	8431 0610 21

^a Female hex drive.

^b Quick change chuck.

LTV69 series

- New twin motor – higher rundown speed, accurate tightening.
- High torques.
- Good access in cramped spaces.

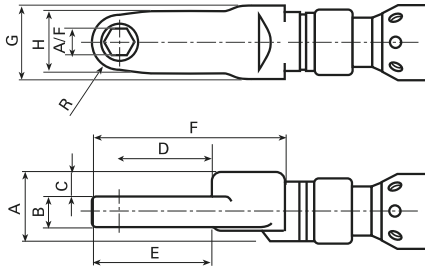


Model	Bolt size mm	Square drive in	Min torque at 3 bar soft joint		Min torque at 6.3 bar soft joint		Max torque at 6.3 bar soft joint		Free speed r/min	Weight		Length mm	Angle head height mm	Angle head center to side mm	Air consumption at free speed		Rec. hose size mm	Air inlet thread in	Ordering No.
			Nm	ft lb	Nm	ft lb	Nm	ft lb		kg	lb				l/s	cfm			
Reversible																			
LTV69 R180-13 ^a	M16	1/2	70	52	100	74	170	125	840	5.1	11.1	592	50	25.3	20	42	13	1/2"	8431 0830 04
LTV69 R370-20 ^a	M18	3/4	140	103	190	140	370	273	480	7.6	16.6	634	62	32.9	20	42	13	1/2"	8431 0830 15
LTV69 R600-25 ^a	M22	1	230	170	400	295	600	443	280	10.2	22.6	676	77	54.0	20	42	13	1/2"	8431 0830 21
Non-reversible																			
LTV69 N180-13	M16	1/2	70	52	100	74	170	125	840	4.6	10.1	577	50	25.3	20	42	13	1/2"	8431 0830 35
LTV69 N370-20	M18	3/4	140	103	190	140	370	273	480	7.1	15.6	619	62	32.9	20	42	13	1/2"	8431 0830 46
LTV69 N600-25	M22	1	230	170	400	295	600	443	280	9.7	21.3	661	77	54.0	20	42	13	1/2"	8431 0830 52

^a Fixed reverse.

In-Line crowfoot tools

Dimensions

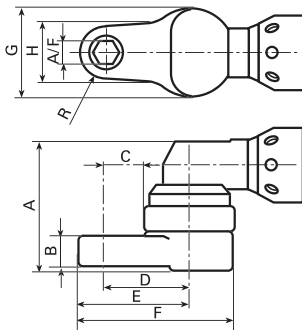


LTC

Model	Torque		Speed r/min	Weight		Length mm	A/F mm	A mm	B mm	C mm	D mm	E mm	F mm	G mm	H mm	R mm	Ordering No.
	Nm	ft lb		kg	lb												
LTC009 R08-10-LI4	4 - 8	3 - 6	210	1.3	2.9	330	10	34	10	13.5	37	41	65.6	35	22	10	8431 0613 72
LTC009 R12-10-LI5	6 - 12	4 - 8	140	1.3	2.9	346	10	34	15	12.5	36.7	59	65.6	35	22	10	8432 0613 64
LTC009 R14-10-LI4	5 - 14	5 - 10	175	1.3	2.9	346	10	34	10	15	52	54	79.5	35	31	14.5	8431 0613 56
LTC28 R07-10-LI3	2.5 - 7	1.9 - 5.3	920	2.2	4.9	573	10	36	15	12.5	46.7	59.2	82.2	35	22	10	8431 0616 00
LTC28 R13-10-LI3	6 - 13	5 - 10	555	2.2	4.9	590	10	36	15	12.5	46.7	59.2	82.2	35	22	10	8431 0616 01
LTC28 R18-10-LI3	10 - 18	8 - 14	386	2.2	4.9	590	10	36	15	12.5	46.7	59.2	82.2	35	22	10	8431 0616 02
LTC28 R08-12-LI3	3 - 8	2.3 - 6	770	2.2	4.9	573	12	34	15	12.5	58.5	71	94	35	30	13	8431 0616 03
LTC28 R15-12-LI3	7 - 15	5 - 11	460	2.2	4.9	590	12	34	15	12.5	58.5	71	94	35	30	13	8431 0616 04
LTC28 R20-12-LI3	12 - 20	9 - 15	320	2.2	4.9	600	12	34	15	12.5	58.5	71	94	35	30	13	8431 0616 05
LTC28 R08-12-LI3	3 - 8	2.3 - 6	830	2.2	4.9	590	12	34	10	15	54.3	54.3	102	35	31	14.5	8431 0616 06
LTC28 R14-12-LI3	6 - 14	5 - 11	500	2.2	4.9	590	12	34	10	15	54.3	54.3	102	35	31	14.5	8433 0616 07
LTC28 R22-12-LI3	11 - 22	8 - 17	345	2.2	4.9	600	12	34	10	15	54.3	54.3	102	35	31	14.5	8431 0616 08
LTC38 R28-12-LI3	14 - 28	11 - 22	470	2.9	6.4	560	12	34	10	15	54.3	54.3	102	35	31	14.5	8431 0616 09
LTC38 R34-21-LI3	16 - 34	12 - 26	390	3.4	7.6	560	21	47	20	16	95.1	44	158.8	64	40	20	8431 0616 10
LTC38 R57-21-LI3	28 - 57	21 - 43	490	4.0	8.9	647	21	47	20	16	95.1	44	158.8	64	40	20	8431 0616 12
LTC48 R150-22-LI3	103 - 150	78 - 113	605	5.1	11.3	780	22	48	33	14	84	84	161.5	64	40	20	8431 0616 15

Offset crowfoot tools

Dimensions

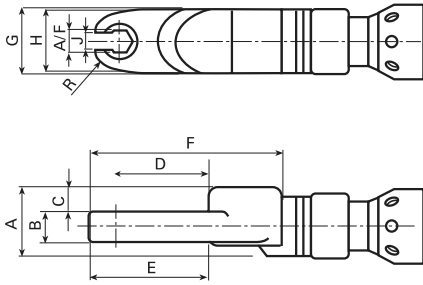


LTC

Model	Torque		Speed r/min	Weight		Length mm	A/F mm	A mm	B mm	C mm	D mm	E mm	F mm	G mm	H mm	R mm	Ordering No.
	Nm	ft lb		kg	lb												
LTC29-2 R08-13-LO5	4 - 8	3 - 6	850	1.4	3.1	400	13	57	10	71.6	93.6	108.1	128.6	44	31	14.5	8431 0615 00
LTC29-2 R10-10-LO3	5 - 10	4 - 7	850	1.4	3.1	374	10	60.3	15	14.55	32.8	42.8	57.8	36.5	22	10	8431 0615 01
LTC29-2 R18-10-LO3	10 - 18	7 - 13	640	1.4	3.1	435	10	60.3	15	14.55	32.8	42.8	57.8	36.5	22	10	8431 0615 02
LTC29-2 R21-13-LO5	11 - 21	8 - 15	500	1.7	3.8	457	13	57	10	71.6	93.6	108.1	128.6	44	31	14.5	8431 0615 04
LTC39-2 R28-12-LO5	17 - 28	13 - 21	560	2.5	5.6	484	12	69.5	15	62	84	97	117.5	44	30	13	8431 0615 08
LTC39-2 R40-14-LO3	22 - 40	16 - 29	460	2.4	5.3	466	14	69.5	18	24.8	46.8	61.3	81.8	44	31	14.5	8431 0615 11
LTC39-2 R60-16-LO3	34 - 60	25 - 44	305	3.0	6.7	471	16	77.8	24	27	51	66	88.5	48	30	15	8431 0615 14
LTC48 R80-17-LO3	56 - 80	41 - 59	215	4.0	8.9	638	17	81	27	31.8	55.8	72.3	94.8	48	33	16.5	8433 0615 17
LTC48 R90-21-LO5	49 - 90	48 - 66	170	4.7	10.4	717	21	89.4	20	24	132	152	178	62.5	40	20	8432 0615 19
LTC48 R96-18-LO3	56 - 96	41 - 71	210	4.7	10.4	620	18	96.6	32	32	63.2	82.2	108.2	62.5	38	19	8431 0615 21
LTC48 R140-18-LO3	92 - 140	68 - 103	100	5.0	11.1	645	18	96.6	32	32	63.2	82.2	108.2	62.5	38	19	8433 0615 23
LTC58 R200-21-LO3	120 - 200	88 - 147	240	9.7	21.6	723	21	148.8	40	46.2	70.4	91.4	125.4	77	42	21	8432 0615 28
Extra heavy duty attachments																	
LTC38 R33-13-AO3	16 - 33	16 - 29	430	2.6	5.7	508	13	60	19	33	53	69	86	40	35	16	8431 0611 01
LTC38 R40-17-AO3	23 - 40	17 - 29	360	3.0	6.6	540	17	66	19	45	68	87	109	45	43	19.5	8431 0611 08
LTC48 R56-17-AO3	24 - 56	18 - 41	400	3.9	8.6	600	17	66	19	45	68	87	109	45	43	19.5	8431 0611 06
LTC48 R96-19-AO3	40 - 96	30 - 71	220	4.3	9.5	640	19	87	25	62	68	88	113	51	50	20	8431 0611 11
LTC48 R120-19-AO3	48 - 120	36 - 89	180	4.3	9.5	640	19	87	25	62	68	88	113	51	50	20	8431 0611 15

In-Line tube nut tools

Dimensions

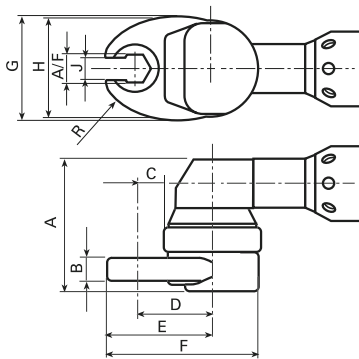


LTO

Model	Torque		Speed r/min	Weight		Length mm	A/F mm	A mm	B mm	C mm	D mm	E mm	F mm	G mm	H mm	R mm	Ordering No.
	Nm	ft lb		kg	lb												
LTO28 R06-8-LI3	4 - 6	3 - 4	1100	1.7	3.7	3.7	8	32	11	12.3	26.2	21.6	60	33.5	29	7.8	8431 0617 00
LTO28 R08-8-LI3	6 - 8	4 - 6	560	1.7	3.7	3.7	8	32	11	12.3	26.2	21.6	60	33.5	29	7.8	8431 0617 01
LTO28 R12-8-LI3	8 - 12	6 - 9	430	1.7	3.7	3.7	8	32	10	13	27.3	15.6	67.1	33.5	31	9.8	8431 0617 03
LTO28 R12-10-LI3	9 - 12	7 - 9	430	1.7	3.7	3.7	10	32	10	13	27.3	15.6	67.1	33.5	31	9.8	8431 0612 44
LTO28 R14-8-LI3	8 - 14	6 - 10	430	1.7	3.7	3.7	8	32	10	13	27.3	15.6	67.1	33.5	31	9.8	8431 0617 04
LTO28 R15-10-LI3	9 - 15	7 - 11	410	1.9	4.2	4.2	10	32	12	11	27.9	26.1	67.7	33.5	32	10.3	8431 0612 46
LTO28 R15-10-LI3	11 - 15	8 - 11	340	2.0	4.4	4.4	10	32	12	11	27.9	26.1	67.7	33.5	32	10.3	8431 0617 05
LTO28 R17-13-LI3	11 - 17	8 - 13	340	2.0	4.4	4.4	13	36	12	14.5	36.3	19.9	84.2	38	38	12.4	8431 0612 48
LTO28 R17-10-LI3	11 - 17	8 - 13	340	2.0	4.4	4.4	10	32	12	11	27.9	26.1	67.7	33.5	32	10.3	8431 0617 06
LTO38 R20-10-LI3	13 - 20	10 - 15	215	2.3	5.0	5.0	10	34	14	13	43.4	29.7	78.6	38	38	20	8431 0617 07
LTO38 R20-10-LI3	13 - 20	10 - 15	215	2.8	6.1	6.1	10	43	11	17.5	43.7	29.6	96.5	50	50	15	8431 0617 08
LTO38 R26-13-LI3	13 - 26	10 - 19	520	3.3	7.2	7.2	13	46	11	20.8	52	30.1	123	55	55	17.2	8431 0612 50
LTO38 R28-10-LI3	22 - 28	16 - 20	225	2.8	6.1	6.1	12	43	11	17.5	43.7	29.6	96.5	50	50	15	8431 0617 09
LTO38 R20-12-LI3	13 - 20	10 - 15	215	2.8	6.1	6.1	12	43	18	14	34.3	44	83	40	40	12.4	8431 0617 10
LTO38 R26-17-LI3	13 - 26	10 - 19	570	3.3	7.2	7.2	17	46	12	20	60.3	18.7	150	59	59	20.1	8431 0612 54
LTO38 R30-12-LI3	22 - 30	16 - 22	225	2.8	6.1	6.1	12	43	18	14	34.3	44	83	40	40	12.4	8431 0617 11

Offset tube nut tools

Dimensions



LTO

Model	Torque		Speed r/min	Weight		Length mm	A/F mm	A mm	B mm	C mm	D mm	E mm	F mm	G mm	J mm	R mm	Ordering No.
	Nm	ft lb		kg	lb												
LTO28 R05-10-LO3	3 - 5	2.3 - 3.8	1100	1.9	4.2	353	10	63.3	12	6.8	25.1	35.6	50.6	36.5	7	9.8	8431 0618 00
LTO28 R11-10-LO3	7 - 11	5 - 8	560	1.9	4.2	373	10	63.3	12	6.8	25.1	35.6	50.6	36.5	7	9.8	8431 0618 01
LTO28 R05-10-LO5	3 - 5	2.3 - 3.8	1100	2.0	4.4	381	10	61.8	10	42.7	60.9	71.4	86.4	36.5	7	9.8	8431 0618 02
LTO28 R09-10-LO5	6 - 9	5 - 7	560	2.1	4.7	381	10	61.8	10	42.7	60.9	71.4	86.4	36.5	7	9.8	8431 0618 03
LTO28 R11-12-LO5	8 - 11	6 - 8	470	2.1	4.7	409	12	62	11	22.6	72	84.9	105.4	44	8	11.9	8431 0618 04
LTO28 R17-12-LO5	11 - 17	8 - 13	300	2.1	4.7	418	12	62	11	22.6	72	84.9	105.4	44	8	11.9	8431 0618 05
LTO28 R13-12-LO3	9 - 13	7 - 10	470	2.0	4.4	379	12	64	11	9.4	31.4	47.4	64.3	44	8.5	11.9	8431 0618 06
LTO28 R18-12-LO3	13 - 18	10 - 14	300	2.0	4.4	379	12	64	11	9.4	31.4	47.4	64.3	44	8.5	11.9	8431 0618 07
LTO28 R13-12-LO3	9 - 13	7 - 10	470	2.0	4.4	377	12	64	14	7	29	40.2	60.7	44	8	14	8431 0618 08
LTO28 R18-12-LO3	13 - 18	10 - 14	300	2.0	4.4	377	12	64	14	7	29	40.2	60.7	44	8	14	8431 0618 09
LTO28 R18-13-LO3	13 - 18	10 - 14	300	2.0	4.4	379	13	65	11	12.8	36.8	51.8	74.3	48	10.4	15	8431 0618 10
LTO38 R25-13-LO3	18 - 25	14 - 19	184	2.0	4.4	485	13	65	11	12.8	36.8	51.8	74.3	48	10.4	15	8431 0618 11
LTO38 R22-13-LO5	16 - 22	12 - 17	184	2.3	5.1	520	13	72.5	18	52.4	74.4	87.7	108.2	44	10.4	12.4	8431 0618 12
LTO38 R32-13-LO5	22 - 32	17 - 24	190	2.3	5.1	520	13	72.5	18	52.4	74.4	87.7	108.2	44	10.4	12.4	8431 0618 13

Hold and Drive

Hold and drive bolts are being used increasingly by, for example, truck manufacturers on the frame assembly line, making what used to be a two-man operation, a one-man task. No reaction arms. The distinguishing feature of a hold and drive bolt is that one part is held and the other is tightened from the same side.

LTV HAD

- Especially suitable for shock absorber assembly.
- Special tools based on the standard LTV series are available for use on hold and drive bolts.
- Reaction torque is absorbed while the bolt is gripped during assembly.
- HAD sockets are available in three different lengths.
- Special sockets available upon request.
- Also suitable for break-away bolts, Hi Lok/Hi Shear.



LTV38 HAD

NOTE: The screw must be strong enough to carry the final torque.

Model	Bolt size mm	Torque range soft joint ^a		Free speed r/min	Weight		Length mm	Angle head height mm	Angle head center to side mm	Air consumption at free speed		Rec. hose size mm	Air inlet thread in	Ordering No.
		Nm	ft lb		kg	lb				l/s	cfm			
LTV38 R40 LT HAD ^b	M8-10	15 - 40	11 - 30	210	3.0	6.5	530	52	25	10	16	10	1/4	8431 0609 52
LTV38 R42 HAD	M8	20 - 42	15 - 31	430	2.2	4.8	453	41	20	10	16	10	1/4	8431 0603 75
LTV38 R50 HAD	M10	25 - 50	18 - 36	360	2.2	4.8	453	41	20	10	16	10	1/4	8431 0603 82
LTV38 R85 HAD	M10-12	40 - 85	30 - 67	210	3.0	6.5	530	52	25	10	16	10	1/4	8431 0609 58
LTV48 R120 HAD	M12-14	70 - 120	52 - 89	220	3.3	7.3	590	70	25	28	59	12.5	1/2	8431 0610 26
LTV48 R150 HAD	M14	70 - 150	52 - 111	180	3.3	7.3	590	70	25	28	59	12.5	1/2	8431 0610 30
LTV48 R200 HAD	M14	115 - 200	85 - 150	100	3.3	7.3	610	70	25	28	59	12.5	1/2	8431 0610 32
LTV69 R370 HAD	M18	190 - 370	140 - 273	480	7.6	16.6	634	62	33	20	42	12.5	1/2	8431 0831 65

^a At min 5 bar.

^b For low torque applications.

NOTE: For sockets and holders see accessory pages.

Other types of Hold and Drive equipped tools are available on special request.

Stall type

- Low inertia design gives accurate torque independent of joint stiffness – in other words, low mean shift.
- Easy torque setting by adjusting the inlet air pressure.
- Reliable, well-proven design.
- Good accessibility due to small dimensioned angle head.



Model	Bolt size mm	Square drive in	Torque range soft joint		Free speed r/min	Weight		Length mm	Angle head height mm		Air consumption at free speed l/s cfm	Rec. hose size mm	Air inlet thread in	Ordering No.
			at 6.3 bar Nm ft lb	at 3 bar Nm ft lb		kg lb	mm		mm					
Reversible														
LMV28 R11-10	M6	3/8	11 8	5 4	1200	1.1 2.4	264	28	11	10 21	10	1/4	8431 0591 07	
LMV28 R14-10	M6	3/8	14 10	7 5	1000	1.1 2.4	264	29.5	13.5	10 21	10	1/4	8431 0591 09	
Non reversible														
LMV28 N16-10	M6	3/8	16 12	8 6	1000	1.0 2.2	239	29.5	13.5	11 23	10	1/4	8431 0590 17	

Ratchet wrenches

- Unique accessibility, the ratchet wrench is a superior tool for limited space applications.
- To loosen, turn the tool upside down.



Model	Bolt size mm	Square drive in	Torque range soft joint		Free speed r/min	Weight		Length mm	Angle head height mm		Air consumption at free speed l/s cfm	Rec. hose size mm	Air inlet thread in	Ordering No.
			at 6.3 bar Nm ft lb	at 3 bar Nm ft lb		kg lb	mm		mm					
LBR33 S26/114-13	M8	13 ^a	22 16	11 8	185	1.4 3.1	290	15	13	9.5 20	10	1/4	8431 0345 71	
LBR33 S26/118-16	M8-10	16 ^a	30 22	15 11	135	1.4 3.1	300	15	18	9.5 20	10	1/4	8431 0346 70	
LBR33 S26/118-17	M8-10	17 ^a	30 22	15 11	135	1.4 3.1	300	15	18	9.5 20	10	1/4	8431 0346 62	

^a Female hex drive.

Worm-drive nutrunners

- Teasing throttle characteristics give significantly reduced free speed.
- Suitable for:
 - Nutrunning
 - Light reaming
 - Tapping
 - Tube-rolling
- Can also be incorporated in rigs as air motors for intermittent operation.



Model	Bolt size mm	Square drive in	Torque range soft joint		Free speed r/min	Weight		Length mm	Angle head height mm		Air consumption at free speed l/s cfm	Rec. hose size mm	Air inlet thread in	Ordering No.
			at 6.3 bar Nm ft lb	at 3 bar Nm ft lb		kg lb	mm		mm					
LMK22 S004	M8	7/16 ^a	19 14	9 7	450	1.0 2.2	240	30	31	6 13	6	1/4	8431 0242 26	
LMK22 S002	M10	7/16 ^a	23 17	11 8	200	1.0 2.2	240	30	31	6 13	6	1/4	8431 0242 18	
LMK33 S005	M10	7/16 ^a	29 21	14 10	480	1.7 3.7	263	39	41	9.5 20	10	1/4	8431 0343 24	
LMK33 S002	M10-12	7/16 ^a	32 24	16 12	235	1.9 4.2	291	39	41	9.5 20	10	1/4	8431 0343 16	
LMK33 S001	M10-12	7/16 ^a	55 41	27 20	130	2.2 4.9	385	39	41	9.5 20	10	1/4	8431 0343 08	

^a Female hex drive.