

Atlas Copco airline accessories



COLIBRI – COL

Balancers in the unique COL range hold the load and keep it weightless throughout the entire cable length.

Productivity

COL balancers always hold the tool in the correct position

Ergonomic

COL balancers reduce the stress level in the operator's muscles.

Safety

The load is not pulled back when released and the surroundings are protected from accidental hoisting of the load.

The cable locks in the event of spring failure (downward braking power).

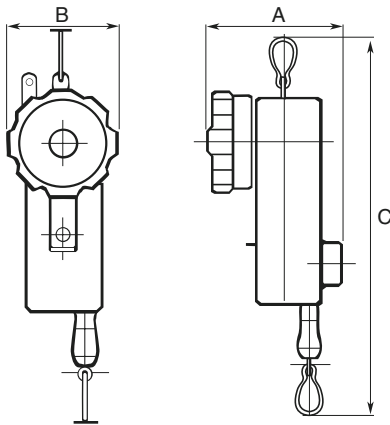
In all models the braking function can be activated upwards by using the "bow and arrow" principle if you need to slacken the cable to change the tool.

COLIBRI S

The COL S models feature an extra safety brake mechanism (double braking system) for applications with extremely high safety requirements.



Dimensions



Model	Capacity range		Cable length m	Weight		Dimensions			Ordering No.
	kg	lb		kg	lb	A mm	B mm	C mm	
COL 1 01	0.7 - 1.3	1.5 - 2.9	1.7	0.5	1.1	108	72	245	8202 0750 01
COL 1 02	1.0 - 2.0	2.2 - 4.4	1.7	0.5	1.1	108	72	245	8202 0750 19
COL 2 03	1.7 - 3.5	3.7 - 7.7	2.4	2.3	5.1	155	116	427	8202 0750 27
COL 2 04	3.0 - 6.0	6.6 - 13.2	2.4	2.3	5.1	155	116	427	8202 0750 35
COL 2 05	4.7 - 7.0	10.4 - 15.4	2.4	2.5	5.5	155	116	427	8202 0750 43
COL 3 07	5.5 - 9.0	12.1 - 19.8	2.4	3.3	7.3	196	116	427	8202 0750 50
COL 3 10	8.0 - 13.0	17.6 - 28.7	2.4	3.4	7.5	196	116	427	8202 0750 68
COL 3 15	12.5 - 17.0	27.6 - 37.5	2.4	3.8	8.4	196	116	427	8202 0750 76
COL 4 18	14.0 - 22.0	30.9 - 48.5	2.4	13.2	29.1	244	193	620	8202 0774 11
COL 4 22	17.0 - 28.0	37.4 - 61.7	2.4	13.9	30.6	244	193	620	8202 0750 84
COL 4 30	24.0 - 38.0	52.9 - 83.8	2.4	14.5	32.0	244	193	620	8202 0750 92
COL 4 42	36.0 - 49.0	79.4 - 107.8	2.4	14.9	32.8	244	193	620	8202 0751 00
COL 4 50	43.0 - 55.0	98.4 - 121.3	2.4	15.3	33.7	244	193	620	8202 0751 18
Safety brake									
COL 2 03S	1.7 - 3.5	3.7 - 7.7	2.4	2.3	5.1	155	116	427	8202 0775 93
COL 2 04S	3.0 - 6.0	6.6 - 13.2	2.4	2.3	5.1	155	116	427	8202 0776 01
COL 2 05S	4.7 - 7.0	10.4 - 15.4	2.4	2.5	5.3	155	116	427	8202 0776 19
COL 3 07S	5.5 - 9.0	12.1 - 19.8	2.4	3.3	7.3	196	116	427	8202 0776 27
COL 3 10S	8.0 - 13.0	17.6 - 28.7	2.4	3.4	7.5	196	116	427	8202 0776 35
COL 3 15S	12.5 - 17.0	27.6 - 37.5	2.4	3.8	8.4	196	116	427	8202 0776 43

Optional Accessories

Safety chain

	Ordering No.
COL 1	4391 4045 90
COL 2 and 3	4391 4046 90
COL 4	4391 4047 90

RIL balancer

RIL balancers always keep the tool in place, handy and easily accessible. RIL balancers are available as retractors or weightless positioning balancers.

RIL Retractors

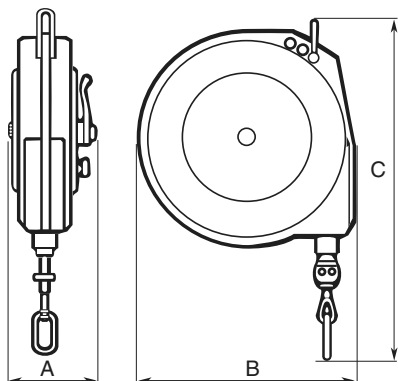
- Adjustable wire stop.
- High quality spring and construction.
- Load range 0 to 10 kg.

RIL Weightless positioning

- Adjustable wire stop.
- Automatic safety lock.
- Load range 5 to 107 kg.



Dimensions



Model	Capacity range		Cable length m	Weight		Dimensions			Ordering No.
	kg	lb		kg	lb	A mm	B mm	C mm	
Retractors									
RIL 1C	0.0 - 0.5	0.0 - 1.7	1.5	0.6	1.3	51	106	238	8202 0700 02
RIL 2C	0.4 - 1.0	0.9 - 2.2	1.5	0.6	1.3	51	106	238	8202 0701 19
RIL 4C	1.0 - 2.0	2.2 - 4.4	1.5	0.6	1.3	51	106	238	8202 0702 18
RIL 5C	1.4 - 2.3	3.1 - 5.1	1.5	0.6	1.3	51	106	238	8202 0703 25
RIL 5	0.4 - 2.3	0.9 - 5.1	2.4	2.0	4.4	70	157	308	8202 0703 09
RIL 5LR ^b	0.4 - 2.3	0.9 - 5.1	2.4	2.0	4.4	70	157	308	8202 0703 15
RIL 10C	2.0 - 5.0	4.4 - 11.0	2.4	2.7	6.0	84	190	369	8202 0704 16
RIL 10CS ^a	2.0 - 5.0	4.4 - 11.0	2.4	2.7	6.0	84	190	369	8202 0704 20
RIL 15C	5.0 - 7.0	11.0 - 15.4	2.4	3.2	7.1	84	190	369	8202 0705 15
RIL 15CS ^a	5.0 - 7.0	11.0 - 15.4	2.4	3.2	7.1	84	190	369	8202 0705 20
RIL 22C	6.0 - 10.0	13.2 - 22.0	2.4	3.2	7.1	84	190	369	8202 0706 14
RIL 22CS ^a	6.0 - 10.0	13.2 - 22.0	2.4	3.2	7.1	84	190	369	8202 0706 20
Weightless positioning									
RIL 20 ^a	5 - 9	15 - 20	1.8	7.2	15.9	178	203	495	8202 0707 05
RIL 30 ^a	9 - 14	20 - 31	1.8	7.2	15.9	178	203	495	8202 0708 04
RIL 40 ^a	13 - 18	29 - 40	1.8	7.2	15.9	178	203	495	8202 0709 03
RIL 50JA ^a	18 - 25	40 - 55	2.1	15	33	191	305	711	8202 0713 07
RIL 50A ^a	18 - 23	40 - 51	1.8	7.5	16.5	178	203	495	8202 0728 00
RIL 60JA ^a	24 - 29	53 - 64	2.1	15	33	191	305	711	8202 0714 06
RIL 60A ^a	23 - 30	51 - 57	1.8	7.5	16.5	178	203	495	8202 0729 09
RIL 70JA ^a	24 - 32	53 - 71	2.1	15	33	191	305	711	8202 0715 05
RIL 80JA ^a	31 - 39	68 - 86	2.1	15	33	191	305	711	8202 0716 04
RIL 90JA ^a	36 - 41	79 - 90	2.1	15	33	191	305	711	8202 0717 03
RIL 100JA ^a	40 - 45	88 - 99	2.1	15	33	191	305	711	8202 0718 02
RIL 110KA ^a	38 - 52	84 - 115	2.1	24	53	260	305	711	8202 0719 01
RIL 120KA ^a	52 - 57	115 - 126	2.1	24	53	260	305	711	8202 0720 08
RIL 130KA ^a	56 - 61	123 - 135	2.1	24	53	260	305	711	8202 0721 07
RIL 140KA ^a	61 - 66	135 - 146	2.1	24	53	260	305	711	8202 0722 06
RIL 150KA ^a	65 - 70	143 - 154	2.1	24	53	260	305	711	8202 0723 05
RIL 160KA ^a	70 - 75	153 - 165	2.1	24	53	260	305	711	8202 0724 04
RIL 170KA ^a	72 - 79	159 - 171	2.1	24	53	260	305	711	8202 0725 03
RIL 190KA ^a	79 - 88	174 - 194	2.1	24	53	260	305	711	8202 0726 02
RIL 200KA ^a	86 - 91	190 - 201	2.1	24	53	260	305	711	8202 0727 01
RIL 230LA ^a	95 - 107	209 - 236	2.1	37	82	359	292	711	8202 0731 05

Optional Accessories

Safety chain

	Ordering No.
1C, 2C, 4C and 5C	4391 4045 90
10C ^a , 15C ^a and 22C ^a	4391 4156 00
5, 20, 30, 40	4391 4046 90
50A and 60A	4391 4047 90
JA, KA and LA	4390 1543 00

^a Safety chain included.

^a Balancer equipped with automatic safety drum lock in case of spring failure.

^b Contains a lock ratchet to lock the cable in increments along its entire length.

WP balancer

Weightless positioning balancers with a cone-shaped drum hold the load and keep it weightless throughout the entire cable length.

Productivity

WP balancers always hold the tool in the correct position and minimize worker fatigue

Ergonomic

WP balancers reduce stress level in the operator's muscles.

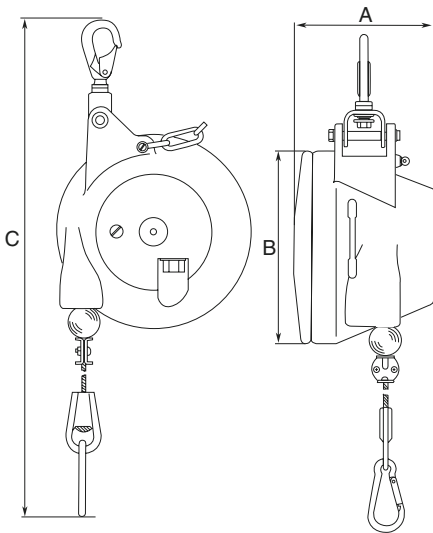
Safety

The load is not pulled back when released and the environment is protected from accidental hoisting of the load.

- Steel cable with cable stop buffer.
- Safety chain.
- Quick and easy cable replacement.



Dimensions



Model	Capacity range		Cable length m	Weight		Dimension in			Ordering No.
	kg	lb		kg	lb	A mm	B mm	C mm	
WP 10-3	3 - 5	6.6 - 11	2	2.9	6.4	129.5	188	520.7	8202 0779 00
WP 10-4.5	4.5 - 7	10 - 15.4	2	3.1	6.8	129.5	188	520.7	8202 0779 01
WP 10-6	6 - 10	13 - 22	2	3.2	7.0	129.5	188	520.7	8202 0779 02
WP 10-9	9 - 14	20 - 31	2	3.4	7.5	129.5	188	520.7	8202 0779 03
WP 10-13	13 - 17	29 - 37	2	3.6	8.0	129.5	188	520.7	8202 0779 04
WP 10-16	16 - 21	35 - 46	2	3.8	8.4	129.5	188	520.7	8202 0779 05
WP 20-15	15 - 25	33 - 55	2	7.8	17.2	152.4	218.4	520.7	8202 0780 00
WP 20-25	25 - 35	55 - 77	2	8.9	19.6	152.4	218.4	520.7	8202 0780 01
WP 20-35	35 - 45	77 - 99	2	9.5	21.0	152.4	218.4	520.7	8202 0780 02
WP 20-45	45 - 55	99 - 121	2	9.8	21.5	152.4	218.4	520.7	8202 0780 03
WP 30-12	12 - 20	26 - 44	2	14.8	32.6	203.2	284.5	749.3	8202 0781 00
WP 30-20	20 - 30	44 - 66	2	15.2	33.5	203.2	284.5	749.3	8202 0781 01
WP 30-30	30 - 45	66 - 99	2	16.9	37.3	203.2	284.5	749.3	8202 0781 02
WP 30-45	45 - 60	99 - 132	2	17.3	38.1	203.2	284.5	749.3	8202 0781 03
WP 30-60	60 - 75	132 - 165	2	18.7	41.2	203.2	284.5	749.3	8202 0781 04
WP 30-75	75 - 90	165 - 198	2	19.7	43.4	203.2	284.5	749.3	8202 0781 05
WP 30-90	90 - 100	198 - 220	2	19.9	43.4	203.2	284.5	749.3	8202 0781 06
WP 40-100	100 - 115	220 - 254	3	42.0	43.9	348	320	800	8202 0782 00
WP 40-115	115 - 130	254 - 287	3	44.0	97.0	348	320	800	8202 0782 01
WP 40-130	130 - 140	287 - 309	3	46.0	101	348	320	800	8202 0782 02
WP 40-140	140 - 150	309 - 331	3	48.0	106	348	320	800	8202 0782 03